

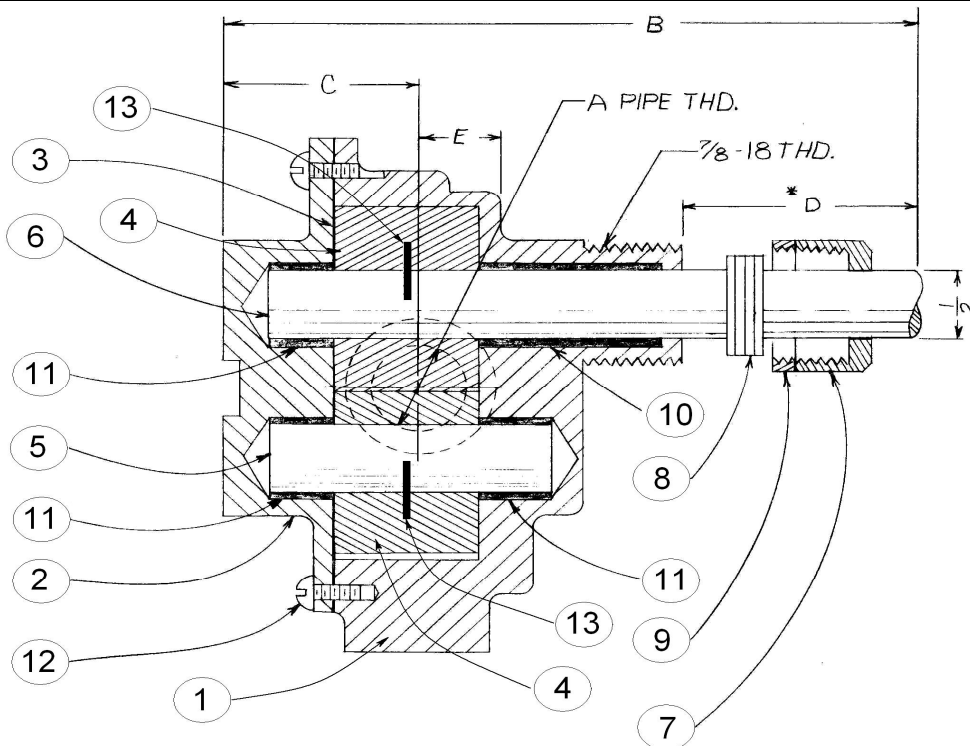
Lobee Pump and Machinery Co.

11/8/2011

LIST EFFECTIVE Oct 1, 2011

MODEL LAL PARTS CUTAWAY

FIG. NO.	PART NO.	DESCRIPTION	3LAL	4LAL	6LAL	8LAL
1	3LAL-1	3/8" NPT Body	1			
1	4LAL-1	1/2" NPT Body		1		
1	6LAL-1	3/4" NPT Body			1	
1	8LAL-1	1" NPT Body				1
2	3LAL-10	Cover	1	1	1	1
3	3LOS-2	Gasket	3	3	3	3
4	3LAL-72A	Gear – nickel alloy	2			
4	4LAL-72A	Gear – nickel alloy		2		
4	6LAL-72A	Gear – nickel alloy			2	
4	8LAL-72A	Gear – nickel alloy				2
5	3LOS-75D	Shaft-Idle – 416 SS	1			
5	4LOS-75D	Shaft-Idle – 416 SS		1		
5	6LOS-75D	Shaft-Idle – 416 SS			1	
5	8LOS-75D	Shaft-Idle – 416 SS				1
6	3LOS-102D	Shaft-Drive – 416 SS	1			
6	4LOS-102D	Shaft-Drive – 416 SS		1		
6	6LOS-102D	Shaft-Drive – 416 SS			1	
6	8LOS-102D	Shaft-Drive – 416 SS				1
7	3LOS-52	Packing Nut	1	1	1	1
8	3SS-59	Packing (3 pieces to set)	1	1	1	1
9	3LOS-77	Lock Nut	1	1	1	1
10	4LAL-14	Bushing-long	1	1	1	1
11	4LAL-12	Bushing-short	3	3	3	3
12	8-186Q	Screw-Cover	6	6	6	6
13	3SS-1489	Drive Pin	1	1	2	2



Lobee Pump and Machinery Co.

11/8/2011

MODEL LAL SIZE 10/12 PARTS

PART NO.	DESCRIPTION	10LAL	12LAL	LIST PRICE
10LAL-1	1-1/4" NPT Body	1		\$ -
12LAL-1	1-1/2" NPT Body		1	\$ -
10LAL-10	Cover	1	1	\$ -
10LOL-2	Gasket	3	3	\$ -
10LAL-72A	Gear	2		\$ -
12LAL-72A	Gear		2	\$ -
10LOL-75D	Idle Shaft	1		\$ -
12LOL-75D	Idle Shaft		1	\$ -
10LOL-102D	Drive Shaft- Regular	1		\$ -
10LOL-102D	Drive Shaft- Keyed	1		\$ -
12LOL-102D	Drive Shaft- Regular		1	\$ -
10LOL-52	Packing Nut	1	1	\$ -
10LOL-77	Lock Nut	1	1	\$ -
10LOL-49	Follower	1	1	\$ -
1610BL	Alemite Fitting	2	2	\$ -
3SS-59A	Packing	1	1	\$ -
1LOL-1499	Grease Plug	2	2	\$ -
1/4164N	Cover Screw	10	10	\$ -
10LOL-1489	Gear Pin	2	2	\$ -

Call for specifications and current pricing